

SL-T4234PTB120-L340

PHOTO TRANSISTOR

DATA SHEET

SPEC. NO. : SZ19081206
DATE : 2019/08/12
REV. : A/0

Approved By:

Checked By:

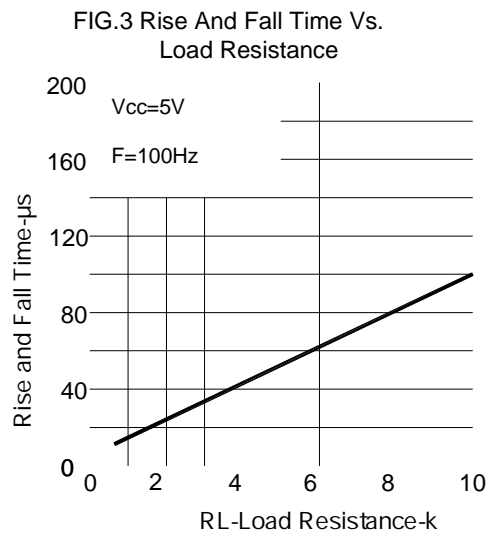
Prepared By:



Typical Electrical / Optical Characteristics Curves (25 Ambient Temperature Unless Otherwise Noted)

FIG.2 Power Dissipation Vs. Ambient Temperature

Ambient Temperature-°C



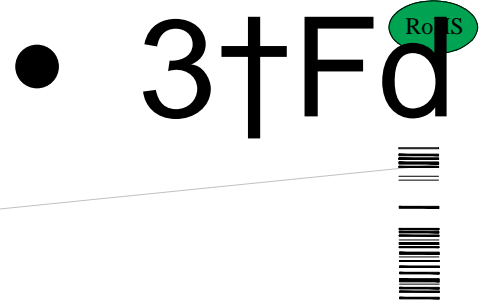
4

Label Explanation

LIGHT Universal Label

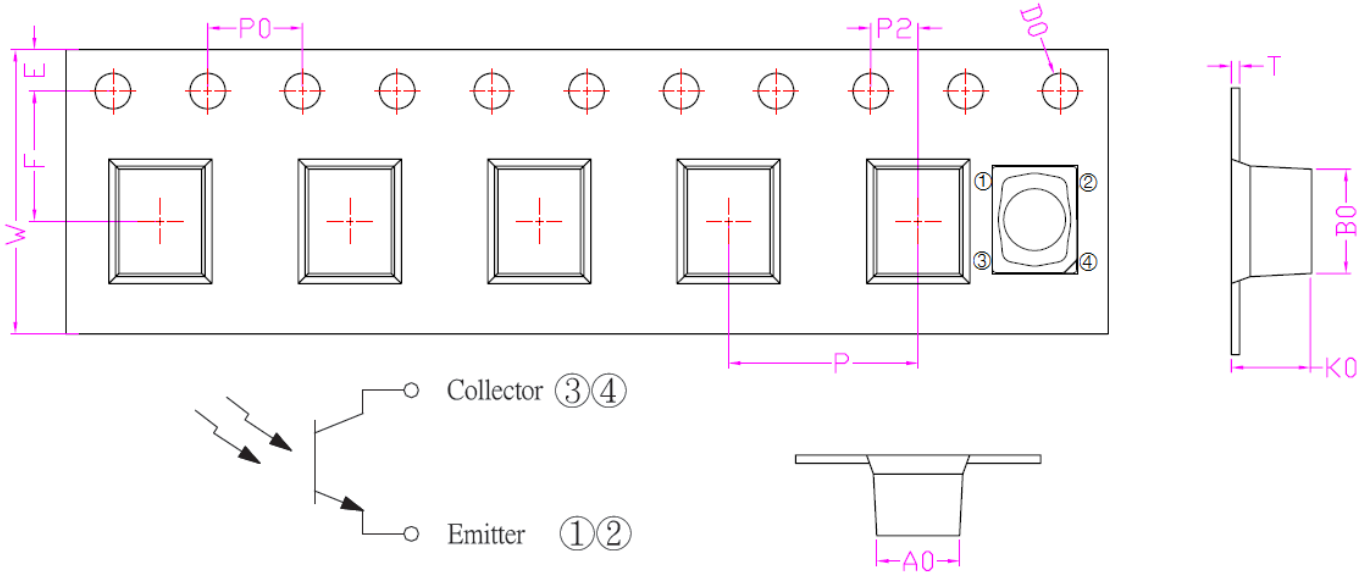
LIGHT	5	
Light Electronics Co., Ltd. GE.		
MODEL NAME: _____		LOT NO.:
QUANTITY: _____		
BIN: _____		
PACKING DATE: _____		
REMARKS: _____		

Customer Defined Label



Carrier Tape Specifications (Loaded Quantity: 2200pcs/reel)

P2200H	III	12700	W 12700	A0 30	50 10	50 10	5 10	5 10	50 10	5 10	50 10
500	0785	DIM 12700	3750	400	390	1075	575	150	800	400	2
±0.05	±0.05	TOLER	±0.10	±0.10	±0.10	±0.10	±0.10	±0.10	±0.10	±0.10	±0.10
±0.05	±0.05		±0.10	±0.10	±0.10	±0.10	±0.10	±0.10	±0.10	±0.10	±0.10



Note: Tolerance unless mentioned is $\pm 0.1\text{mm}$; Unit = mm

Moisture Resistant Packaging

