

# LT-GDM-02-G2

## Ground-Detecting Module

### Product Specifications

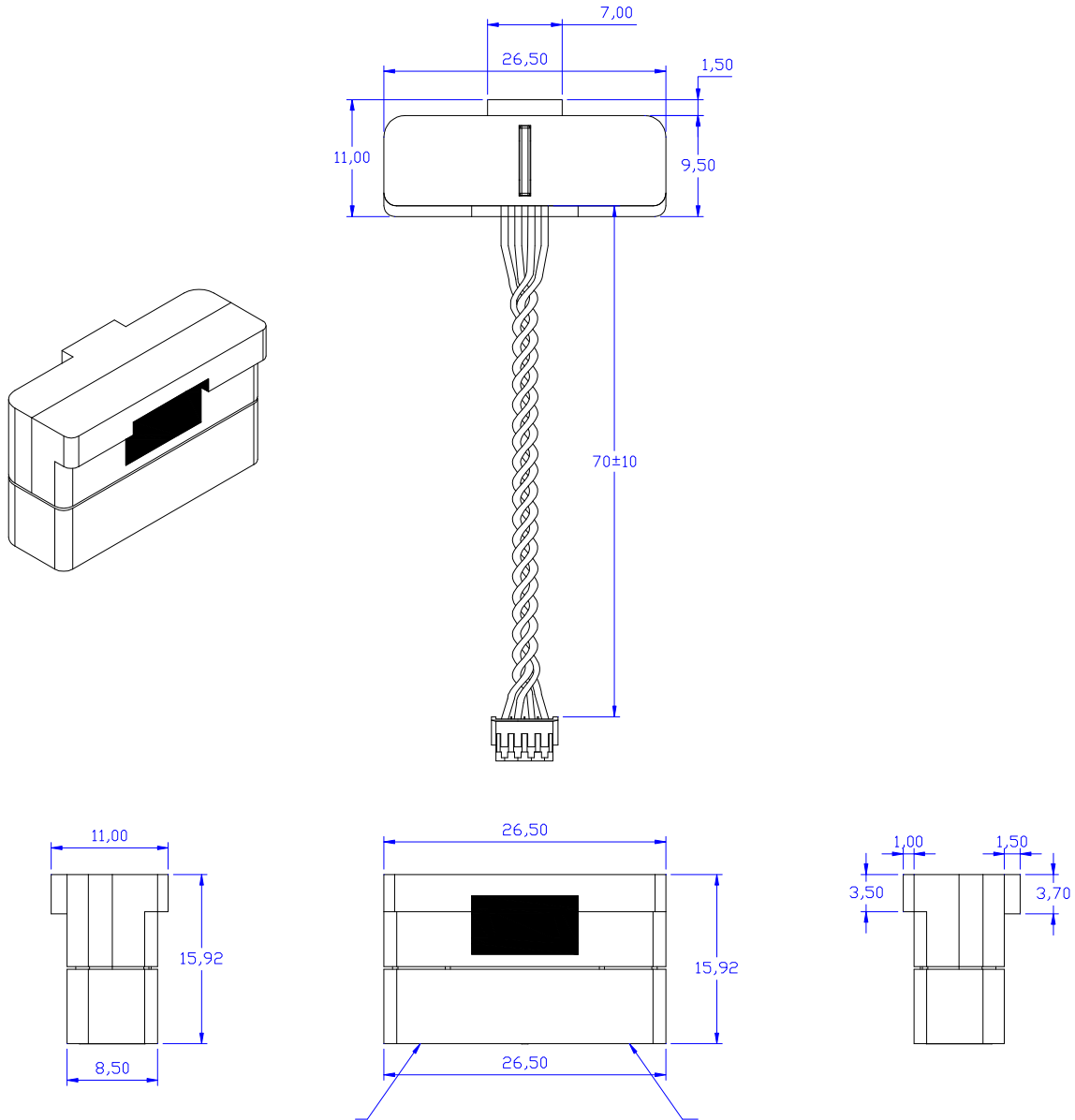
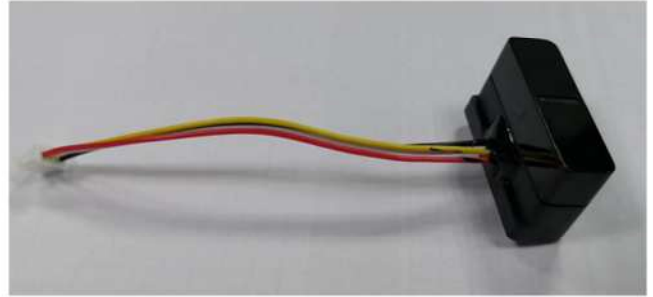
SPEC. NO. : SZ22101201  
DATE : 2022/11/7  
REV. : A/1

Approved By:

Checked By:

Prepared By:

## Dimensions of Module



### Notes:

1. All dimensions are in millimeters.
2. Tolerance is  $\pm 0.50$ mm unless otherwise noted.
4. Specifications are subject to change without notice.



**Part No.**



