

# **LG-IRM2A638KEF3**

## **Infrared Receiver Module**

### **DATA SHEET**

SPEC.NO. : SZ19070801  
DATE : 2017/07/08  
REV. : A/0

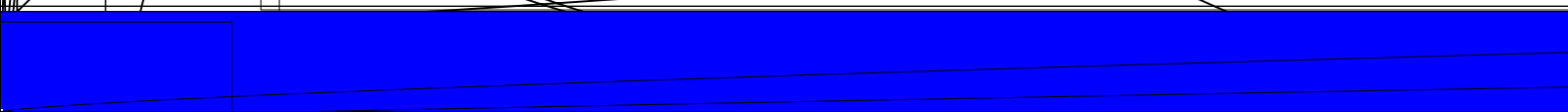
Approved By:

Checked By:

Prepared By:

LIGHT

**LIGHT ELECTRONICS CO., LTD.**



# LIGHT

## LIGHT ELECTRONICS CO., LTD.

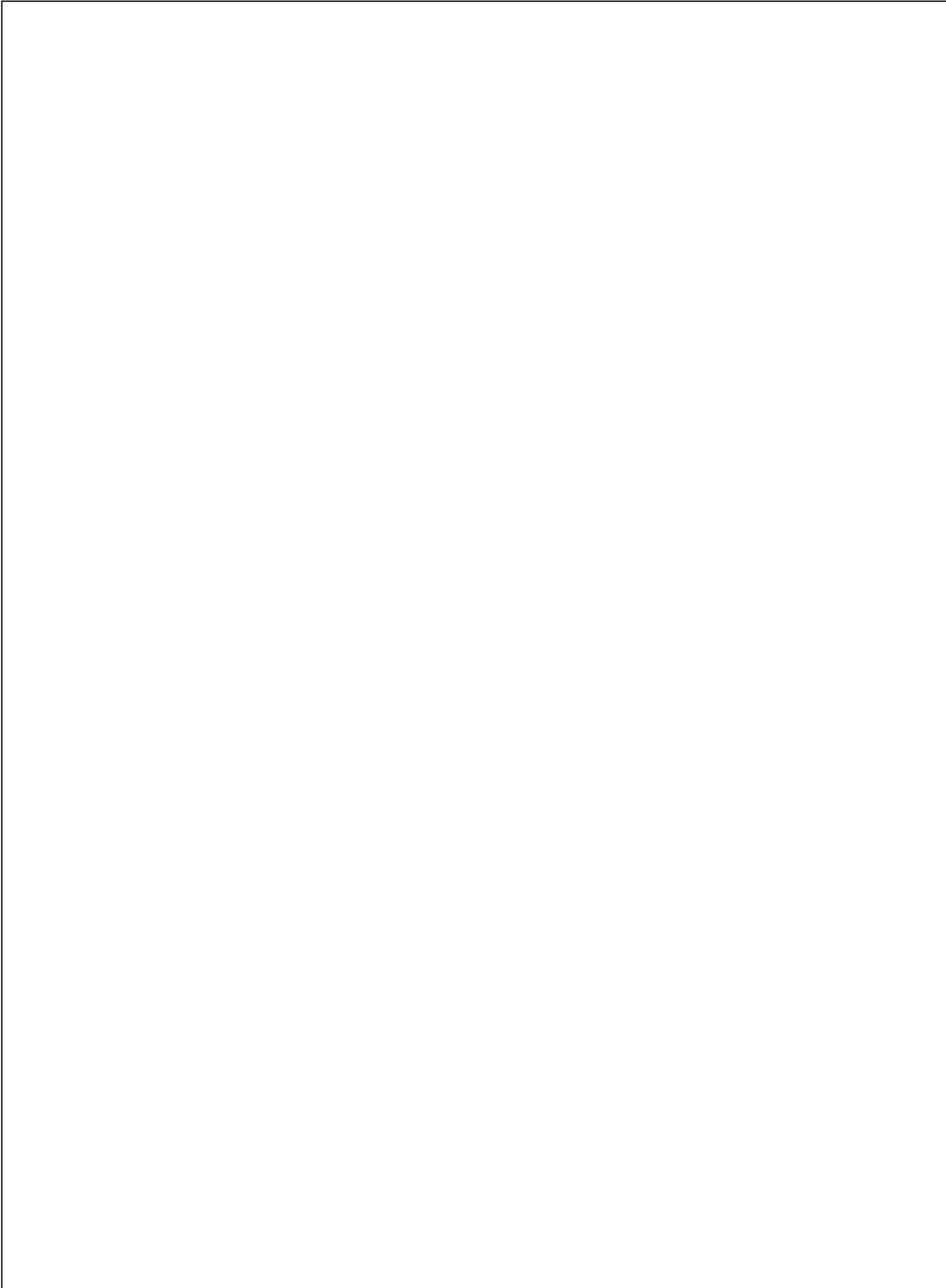


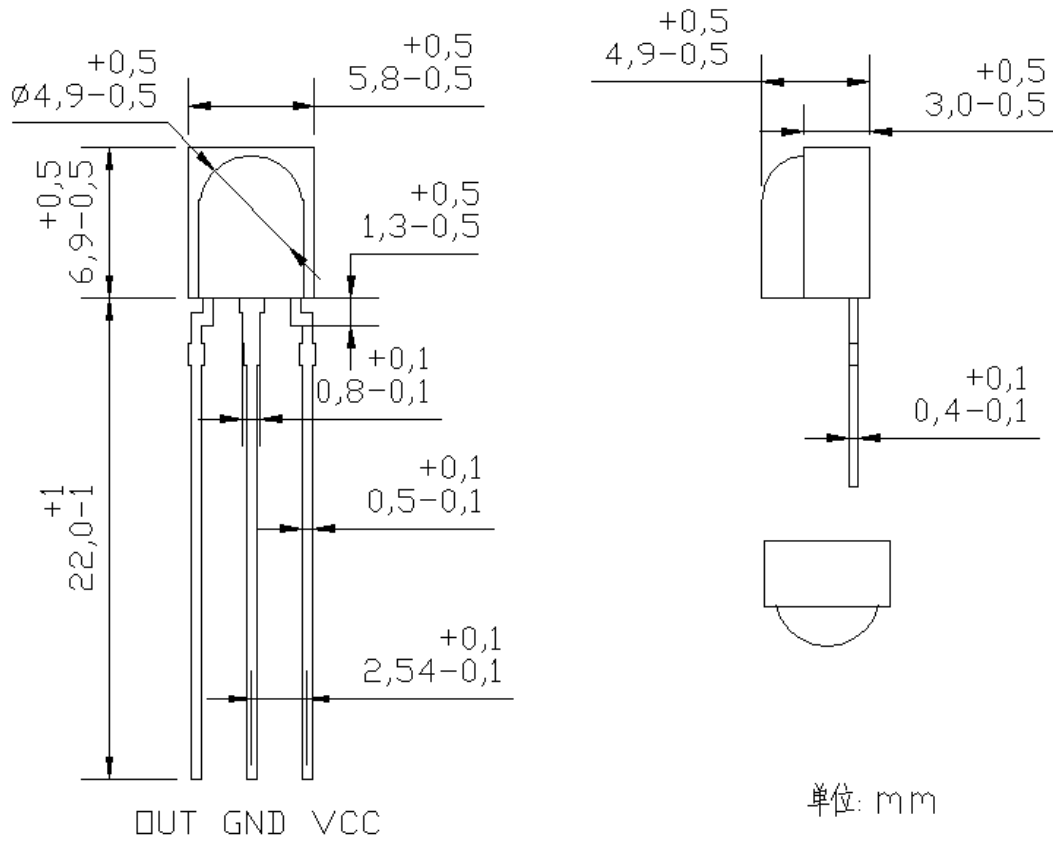
--	--	--	--	--	--	--


--	--	--	--	--	--	--

**L**I**G**H**T**

**LIGHT ELECTRONICS CO., LTD.**





LIGHT

**LIGHT ELECTRONICS CO., LTD.**

