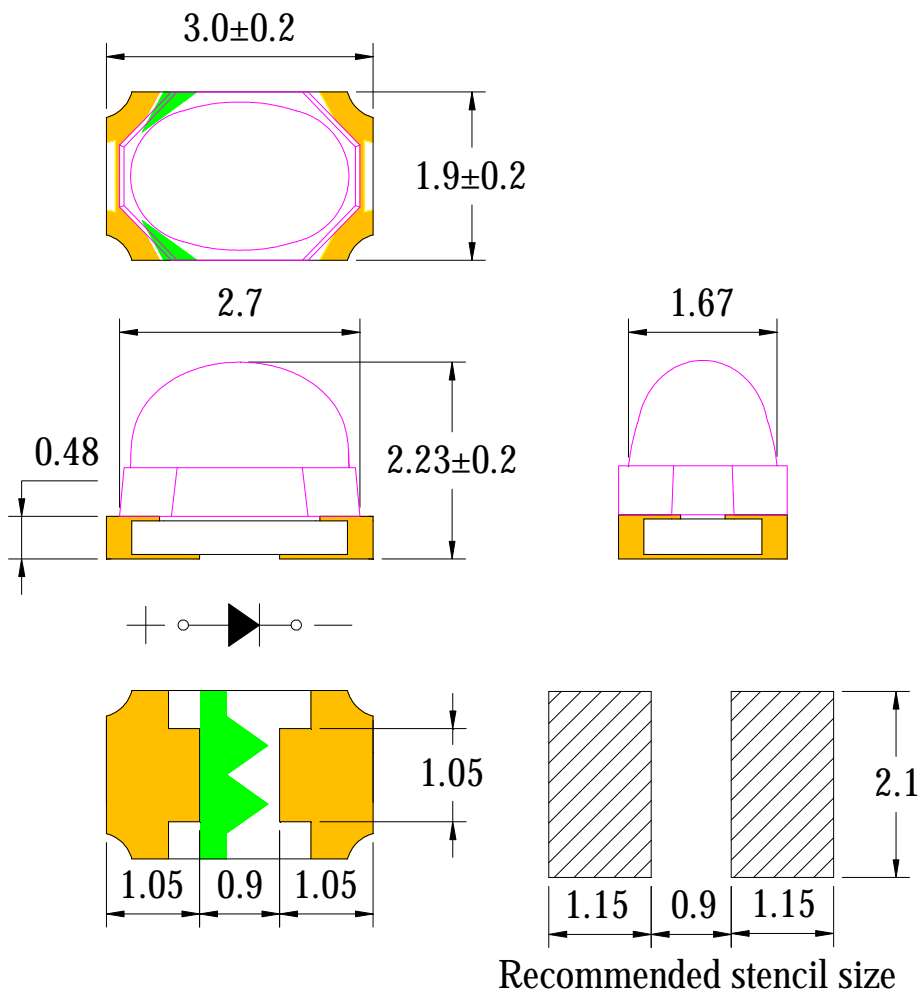


—
—
—

--	--	--	--





LIGHT ELECTRONICS CO., LTD.



--	--	--	--



LIGHT

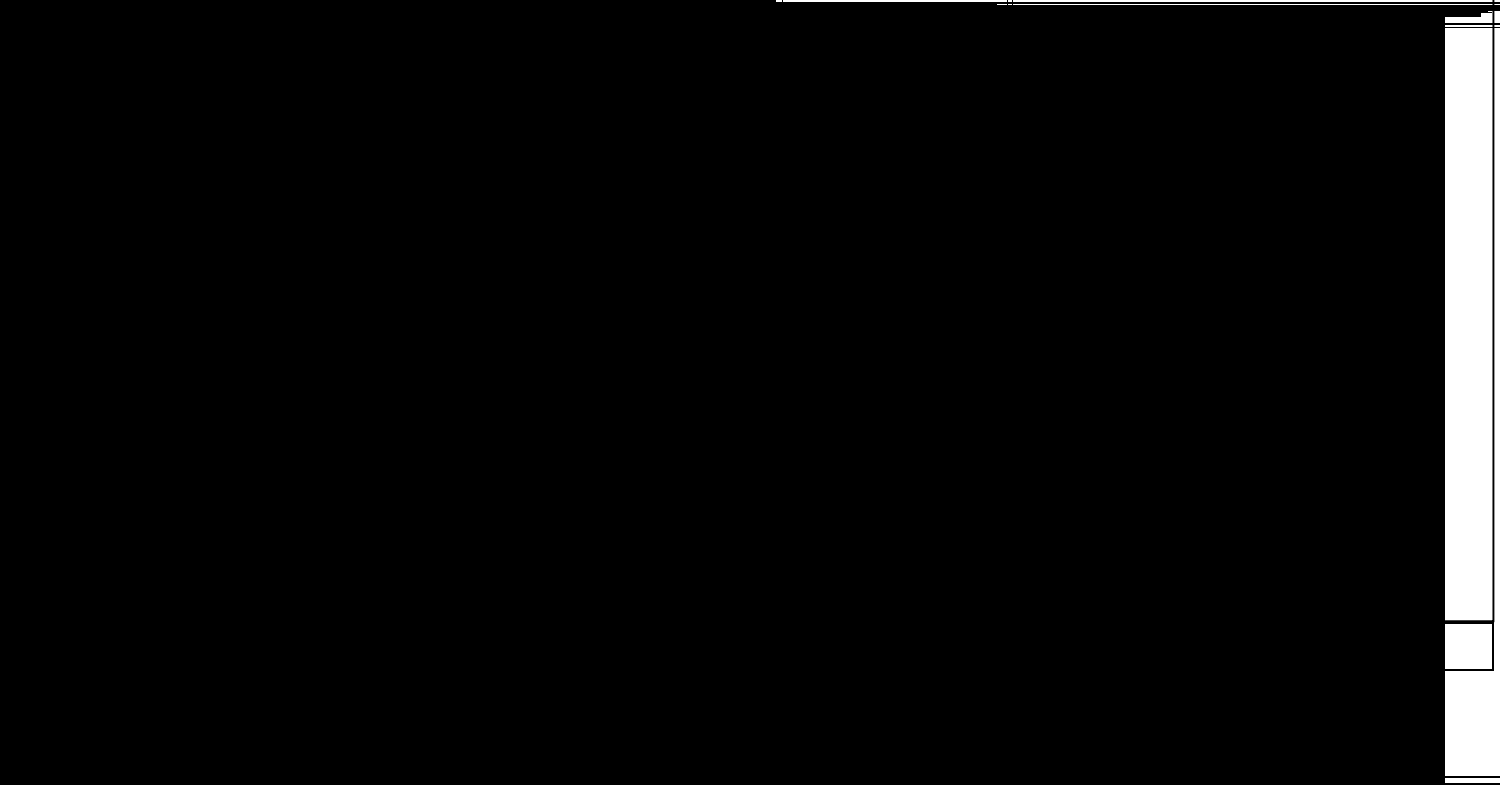
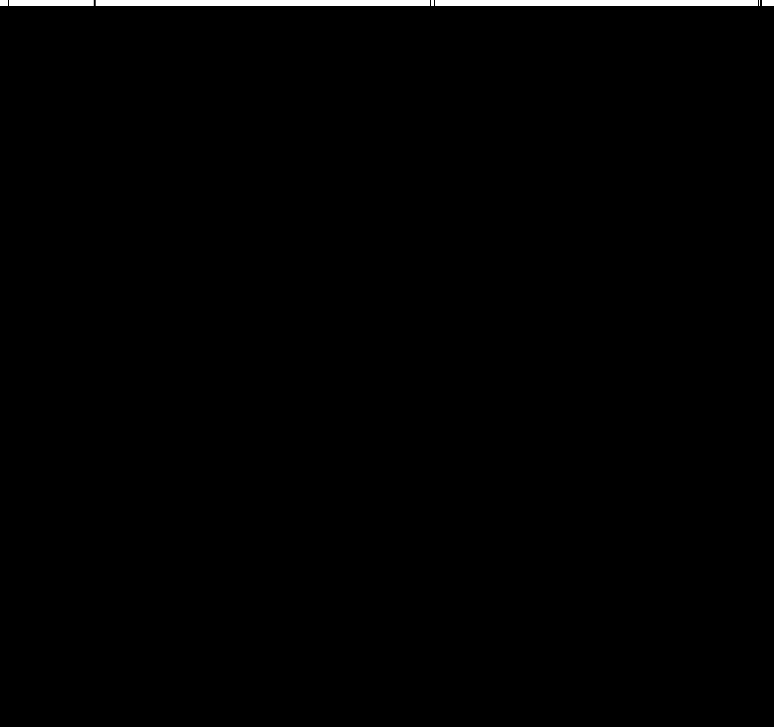
LIGHT ELECTRONICS CO., LTD.

LIGHT

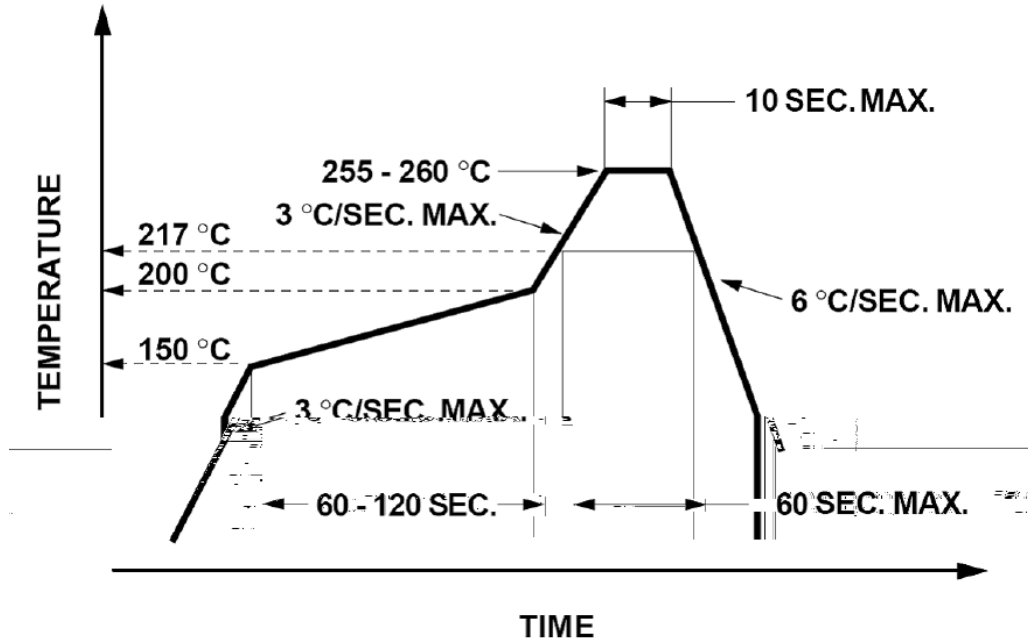
LIGHT ELECTRONICS CO., LTD.



Carrier Tape Specifications (Loaded Quantity: 5000pcs/reel)



Suggest IR Reflow Condition For Lead Free



Soldering iron

°C

Repairing

