

# **SL-T3510RGBA-L120**

## **DATA SHEET**

SPEC.NO.: SZ18040901  
DATE: 2018/04/09  
REV. A/0

Approved By:

Checked By:

Prepared By:



**SL-T3510RGBA-L120**

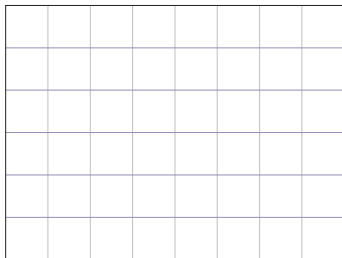
**TOP Full-color LED**

**Technical Data Sheet**





## Typical Characteristics Curves





### Reliability Test Items And Conditions



		↔			

### Criteria For Judging Damage

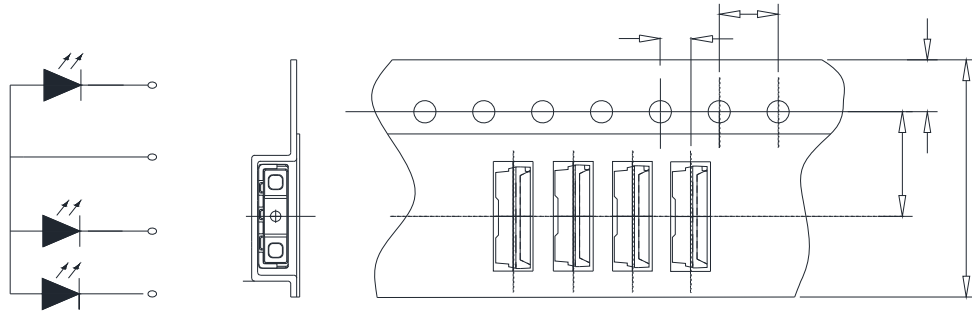
--	--	--	--



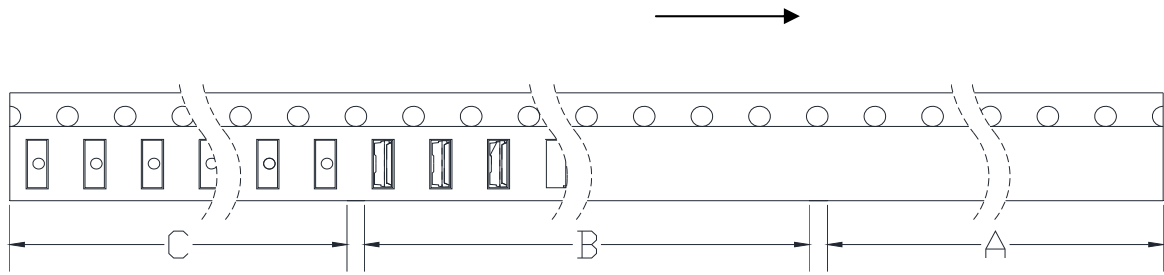
## 1

### Packaging (1)

#### ◇ Carrier Tape



#### ◇ Details Of Carrier Tape



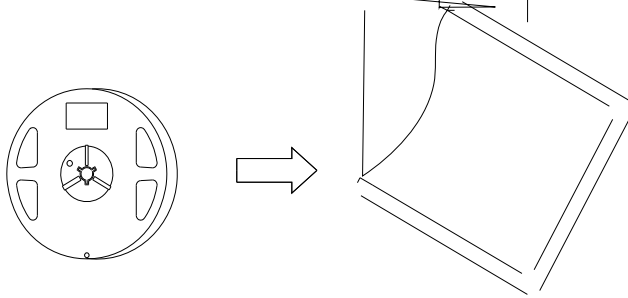
#### ◇ Reel Dimension

**2**

**Packaging( 2)**



**Moisture Proof and Anti-Electrostatic Foil Bag**



**Cardboard Box**



**Label Explanation**

$\lambda$



# LIGHT

---



2



## Guideline for Soldering (2)

3.

Cleaning



## (1)

### Precautions (1)

1.

#### Storage

- 

- 

- 

- 

- 

2.

#### Static Electricity

- 

- 

-

## (2)

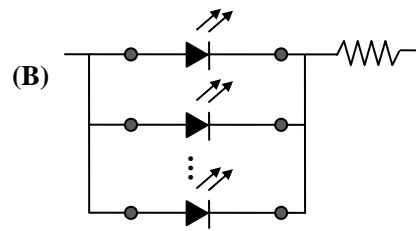
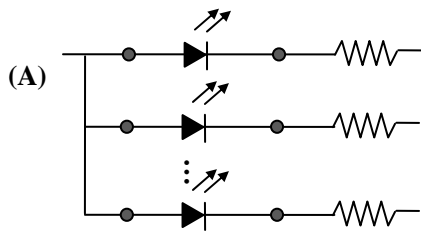
### Precautions (2)

3.

#### Design Consideration

- 

- 



- 

4.

#### Reverse voltage protection

-

## (3)

### Precautions (3)

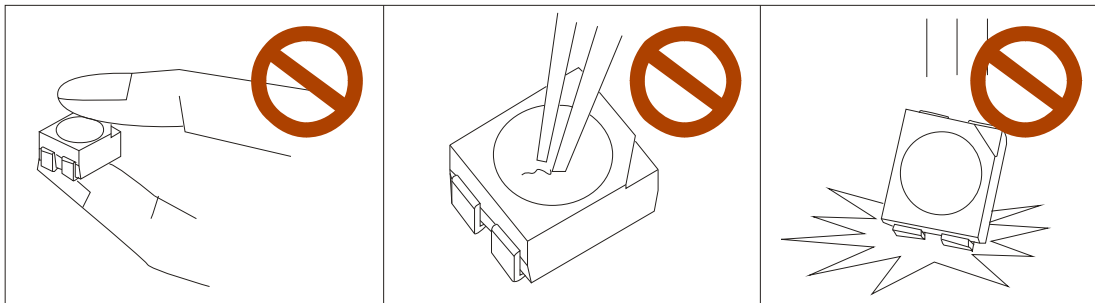
5.

The safe temperature for LEDs working

- 

6.

- 



-