

SL-T0603IRC020-L55

DATA SHEET

SPEC. NO. : SZ20050901
DATE : 2020/10/22
REV. : A/2

Approved By:

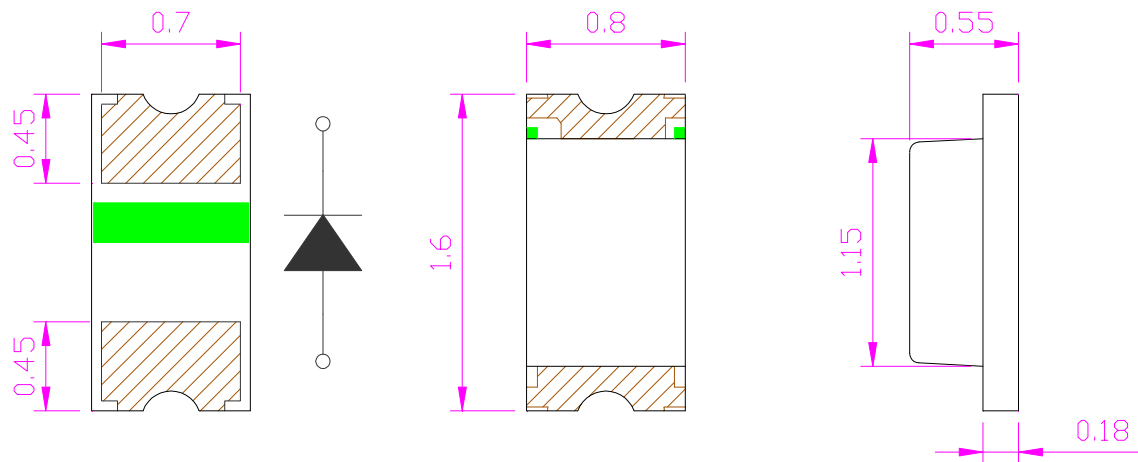
Checked By:

Prepared By:

Features

- Pb free product—RoHS compliant
- Low power consumption, High efficiency
- Reliable and rugged
- Long life – solid state reliability
- Good spectral matching to Si photo detector

Package Dimension



Part NO.	Chip Material	Lens Color
SL-T0603IRC020-L55	AlGaAs	Water Clear

Notes:

1. All dimensions are in millimeters.
2. Tolerance is ± 0.10 mm unless otherwise noted.
3. Specifications are subject to change without notice.

SLIGHT

Part No. SL-T060



Typical Electrical / Optical Characteristics Curves
(25°C Ambient Temperature Unless Otherwise Noted)

Infrared Emitting Diode Specification

●Commodity: Infrared Emitting Diode



●Radiant Intensity Bin Code (At 20mA)

BIN CODE	Min.(mW/sr)	Max. (mW/sr)
15	1.3	1.55
16	1.55	1.85
17	1.85	2.2
18	2.2	2.6
...



NOTE: The Ie guarantee should be added $\pm 15\%$ tolerance.

Label Explanation

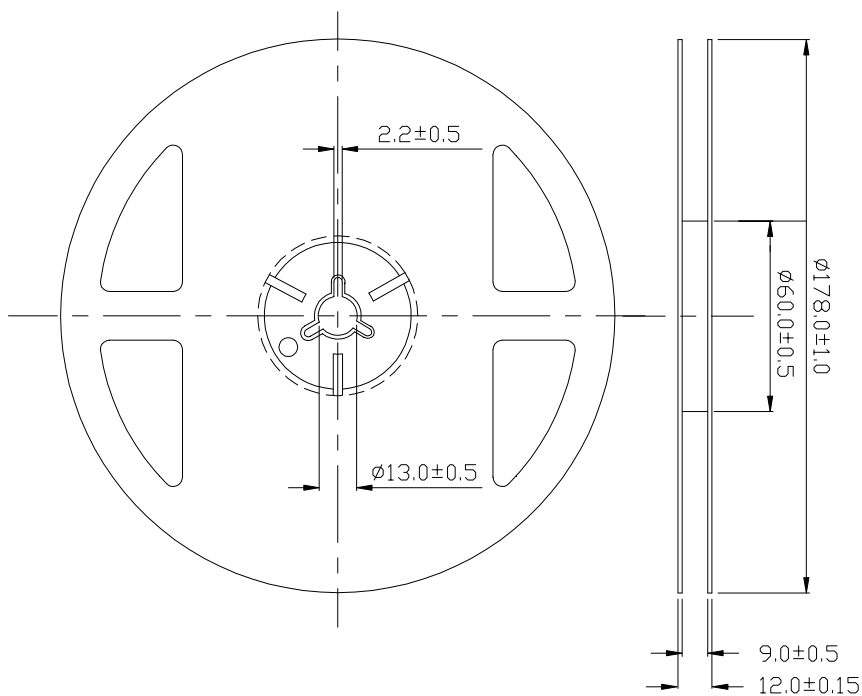
LIGHT Universal Label
(Reel Label)

LIGHT		
Light Electronics CO., LTD.		
MODEL NAME: _____	 LOT NO.: _____	
QUANTITY: _____		
BIN: _____		
PACKING DATE: _____		
REMARKS: _____		

Customer Defined Label
(Aluminum Moisture Proof Bag Label)

LIGHT		
Light Electronics CO., LTD.		
MODEL NAME: _____	 LOT NO.: _____	
QUANTITY: _____		
BIN: _____		
PACKING DATE: _____		
CUSTOMER P/N: _____		

Reel Dimensions



Note: Tolerance unless mentioned is ± 0.2 mm; Unit = mm

