

# LG-IRM2A838KSF3

## Infrared Receiver Module

### DATA SHEET

SPEC.NO. : SZ21052401  
DATE : 2021/05/24  
REV. : A/0

Approved By:

Checked By:

Prepared By:

# LIGHT

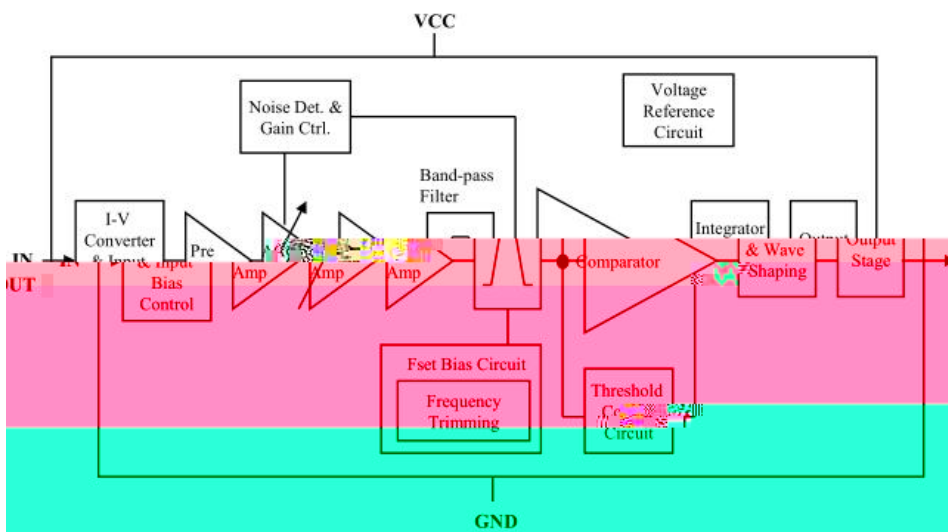
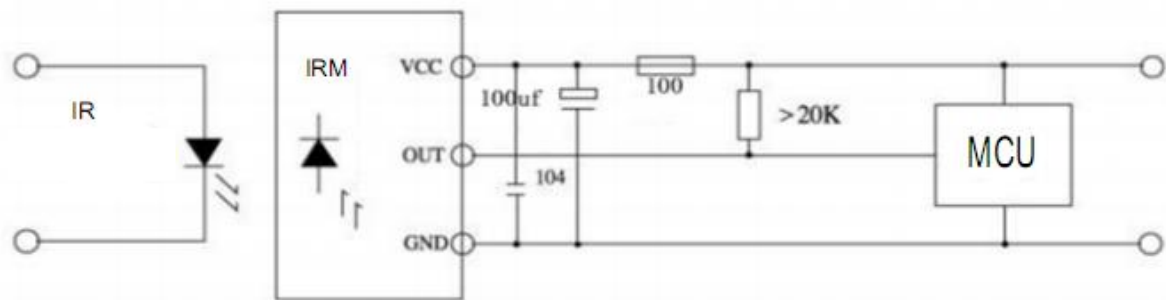
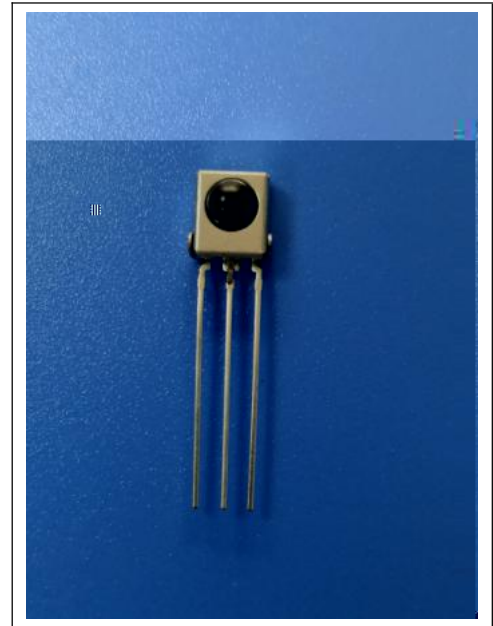


IRM2A838 SF3

PI N

IC

REACH ROHS





LIG

