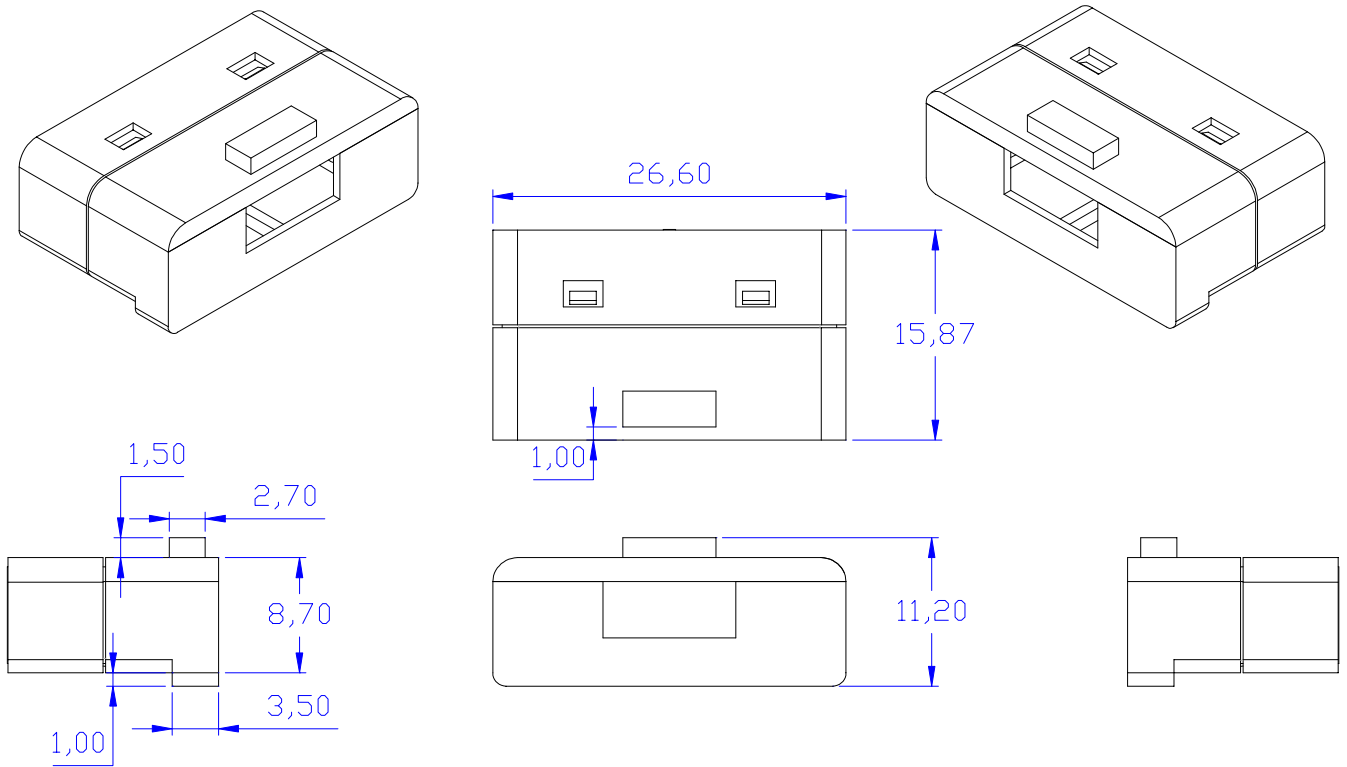
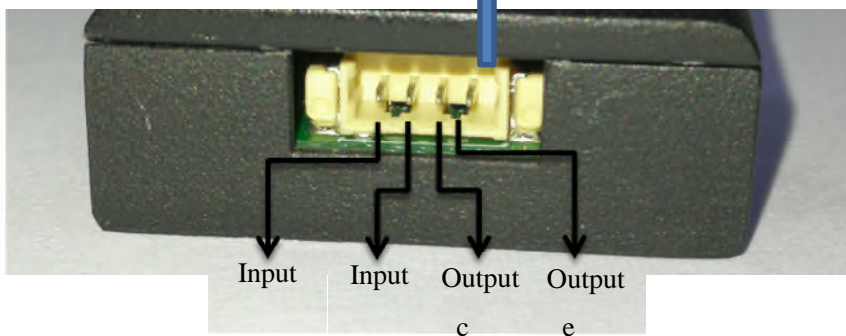


Dimensions of Module



1.25mm 4P



Notes:

1. All dimensions are in millimeters.
2. Tolerance is $\pm 0.50\text{mm}$ unless otherwise noted.
3. Specifications are subject to change without notice.

