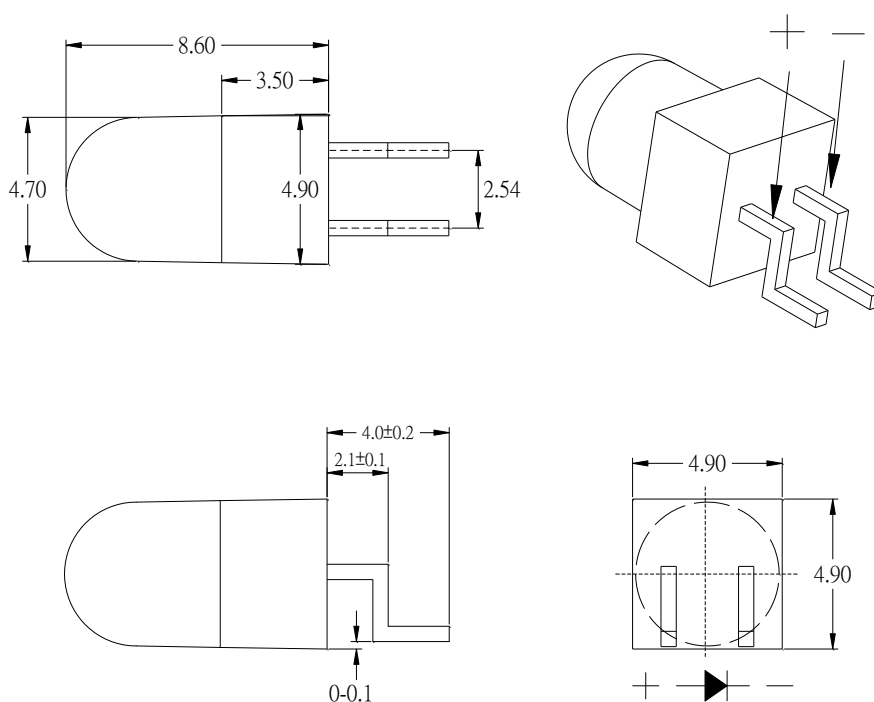


Features

- ◆ Pb free product—RoHS compliant Pb ROHS
- ◆ High Photo Sensitivity
- ◆ General purpose leads
- ◆ Reliable and rugged
- ◆ Long life – solid state reliability

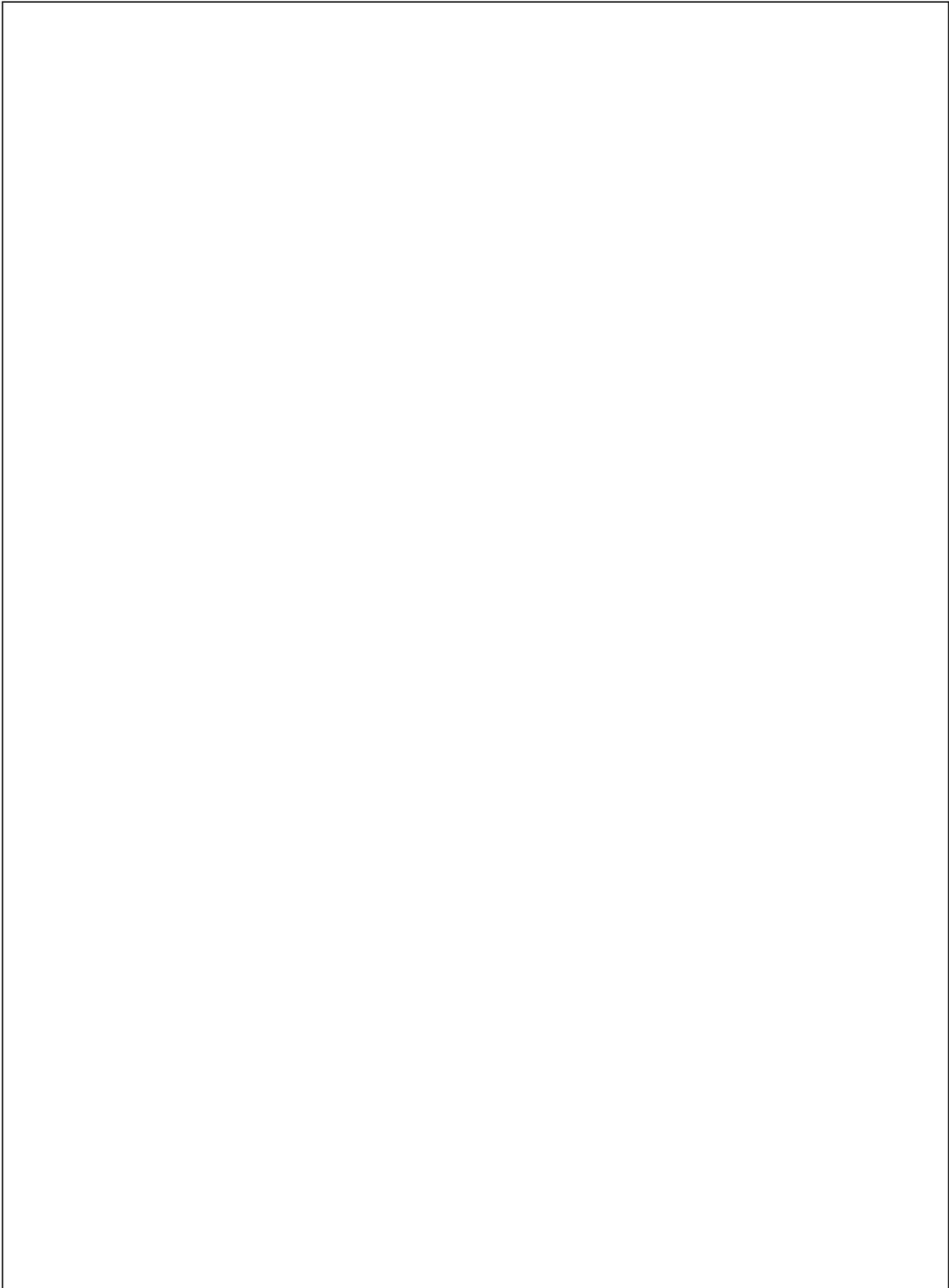
Package Dimension



| Part NO. | Chip Material | Lens Color |
|-----------------------|---------------|------------|
| LG-05PD4D94K-557C-B-T | Silicon | Black |

Notes:

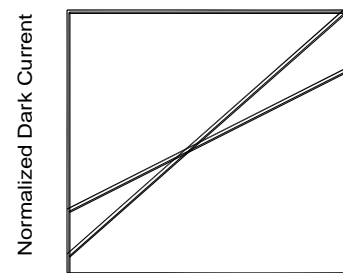
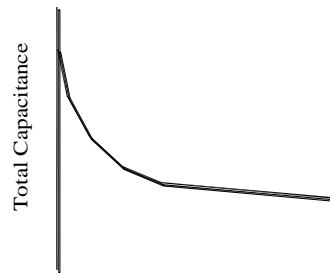
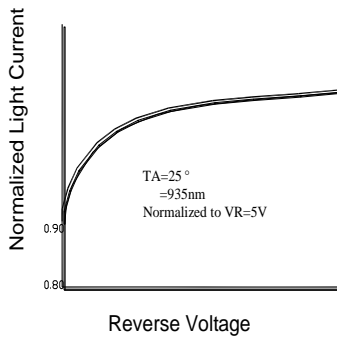
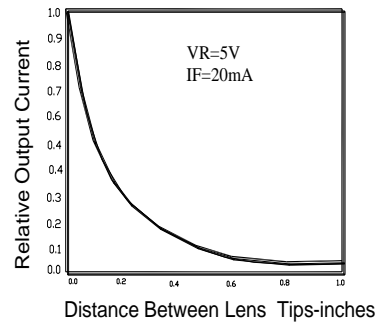
1. All dimensions are in millimeters.
2. Tolerance is ± 0.20 mm unless otherwise noted.
 ± 0.2 .



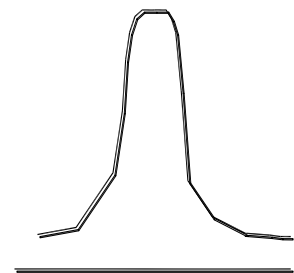
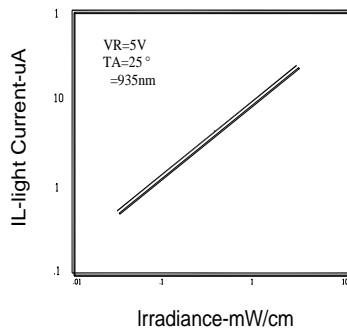
Typical Electrical / Optical Characteristics Curves
 (25 Ambient Temperature Unless Otherwise Noted)



Coupling Characteristics

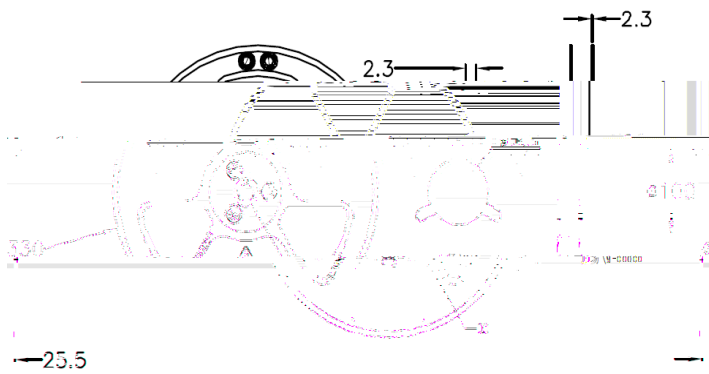
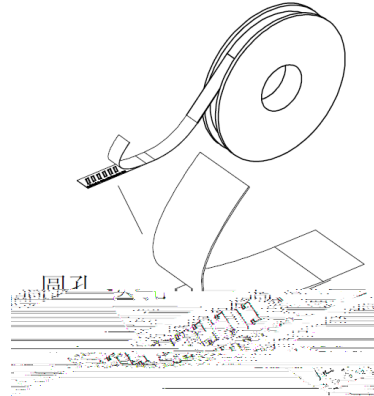
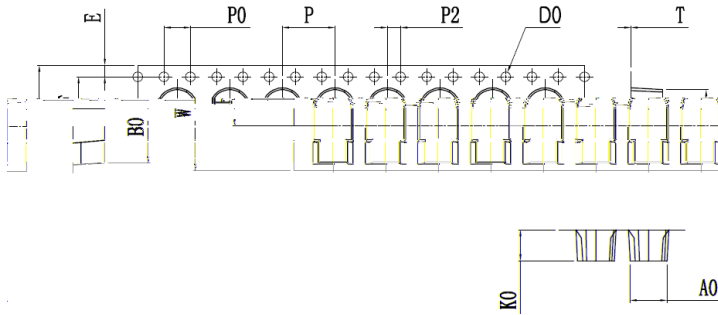


Light Current vs. Irradiance



PACKAGE

1. Package Dimensions



| Item | Specification | |
|-------|---------------|---------|
| | Minum | Maximum |
| W | 15.97 | 16.3 |
| P | 7.9 | 8.1 |
| E | 1.65 | 1.85 |
| F | 7.4 | 7.6 |
| D | 1.5 | 1.6 |
| P0 | 3.9 | 4.1 |
| P0x10 | 39.8 | 40.2 |
| P2 | 1.9 | 2.1 |
| A0 | 5.2 | 5.4 |
| B0 | 10.6 | 10.8 |
| K0 | 4.8 | 5.0 |

Notes:

1. All dimensions in millimeters.
2. All dimensions meet EIA-481-C requirements.
- ~~3. Cover tape by a heat sensitive tape.~~

- 1.
2. EIA-481-C
- 3.



1