

LIGHT

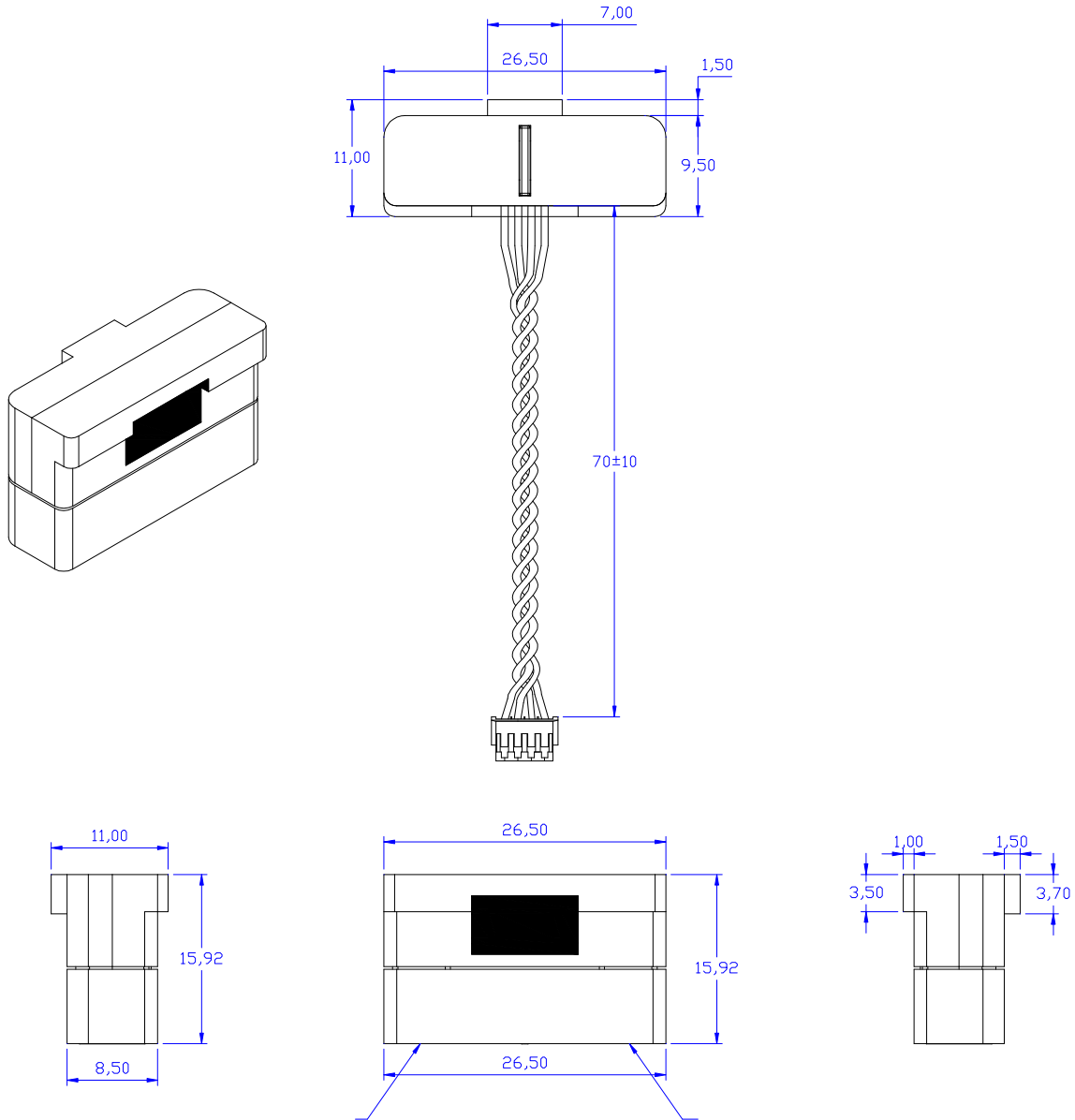
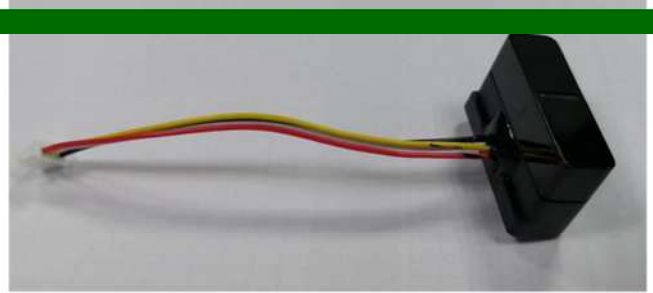


0

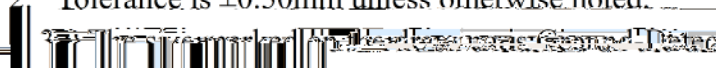
0 0 0

--	--	--	--

Dimensions of Module



Notes:

1. All dimensions are in millimeters.
2. Tolerance is ± 0.50 mm unless otherwise noted.
3. 
4. Specifications are subject to change without notice.

保潔

