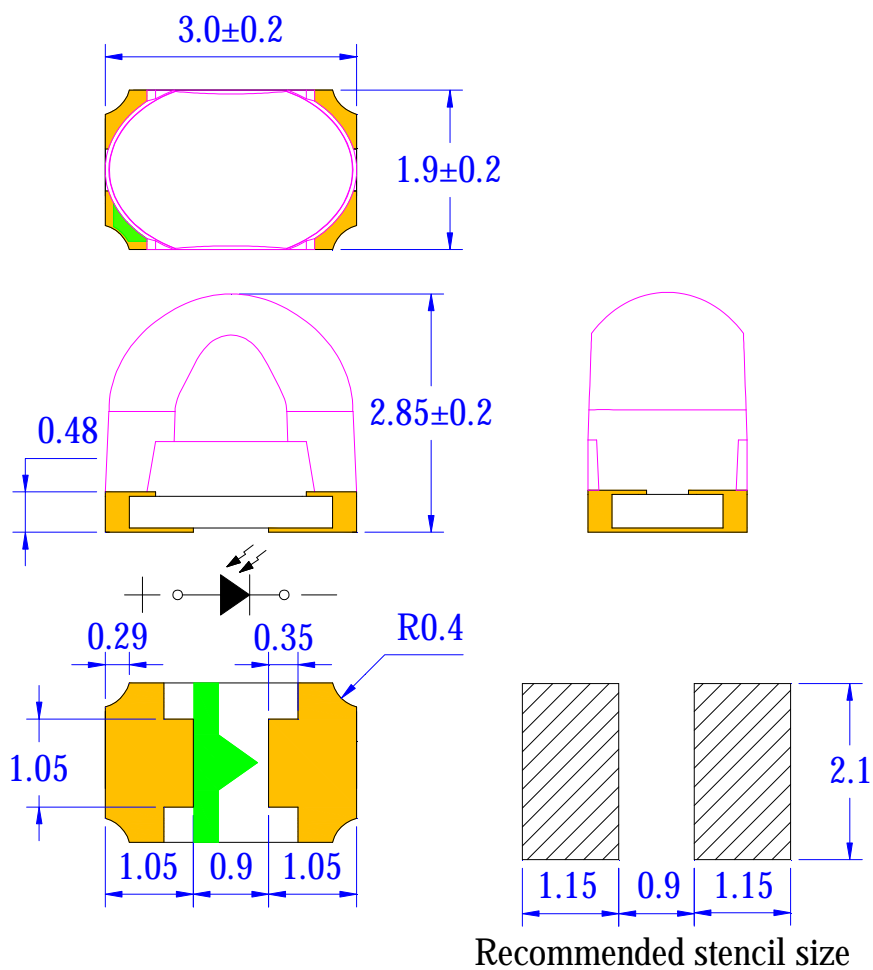




### Features

- Pb free product—RoHS compliant
- High Photo Sensitivity
- Reliable and rugged
- Long life – solid state reliability
- Sensitivity angle: 90°

### Package Dimension



Part NO.	Chip Material	Lens Color
SL-T3020PDB020-L285-E-S	Silicon	Black

#### Notes:

1. All dimensions are in millimeters.
2. Tolerance is  $\pm 0.10$  mm unless otherwise noted.
3. Specifications are subject to change without notice.

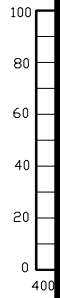






Typical E  
(25 An

ves  
(Noted)



1  
0.8  
0.6  
0.4  
0.2  
0  
-0.2

Part No

, p=940nm)

	$\mu$	$\mu$

**NOTE:** The  $I_L$  guarantee should be added  $\pm 15\%$  tolerance.





**Note:** Tolerance unless mentioned is  $\pm 0.1$ mm; Unit = mm

