

LIGHT

LIGHT ELECTRONICS CO., LTD.

Electro-Optical Characteristics



9 E J L S * . :

H		K	J	M
		A	* .	9
H		A) ((9
J N		N	-	N
G L		L	N+ () 0 -	
K L		L	N+ () ((
H <	J	H	- (O
			I (
			I (

(A)) (F 2 H O (A) <) (



Electro-Optical Characteristics (Temperature=25°C)

H	K	:	:	E &	L &	E &	M
J	A _v	N J S - N	J) (μ
) (
) (
N	N	A 5) - 9	J) Δ0	* Δ(* Δ.	N
		A 5 0 9		+ Δ.	+ Δ(+ Δ.	
		A 5 - 9	:	* Δ.	+ Δ(+ Δ.	
< O	λ	A 5) - 9	J	-) -	- * *	- + (
		A 5 0 9		-) -	- * *	- + -	
		A 5 - 9	:	- - -	- / (- 0 (
K J	Δλ	A 5) - 9	J			* .	
		A 5 0 9				+ 0	
		A 5 - 9	:			+ 0	
D A	A _v	A 5) - 9	J	+) (- / (/ ((
		A 5 0 9		- ((/ - () * ((
		A 5 - 9	:	/ () * () 0 (
N 9	. θ .) (Δ

以上 厂商

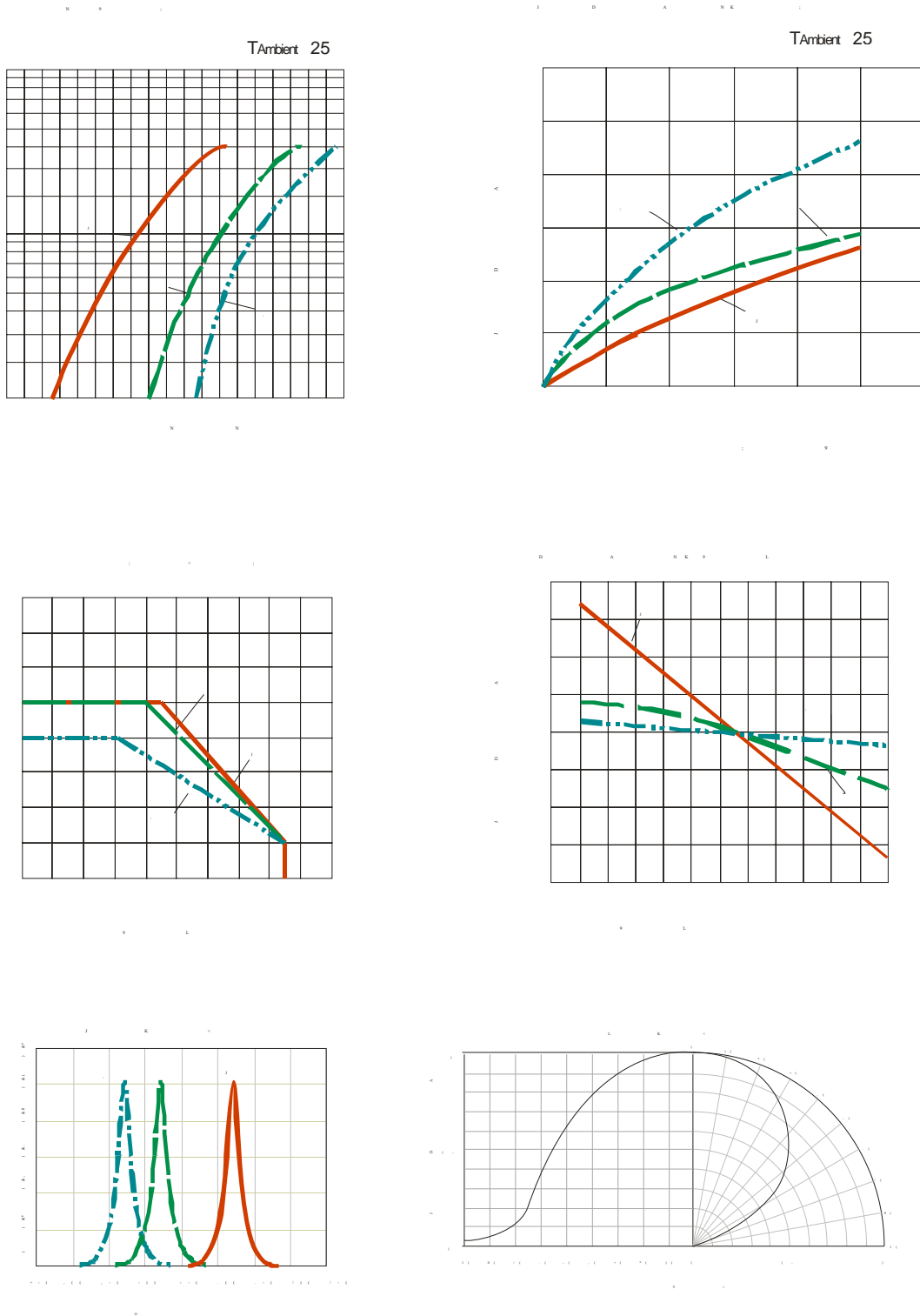
F 2 L

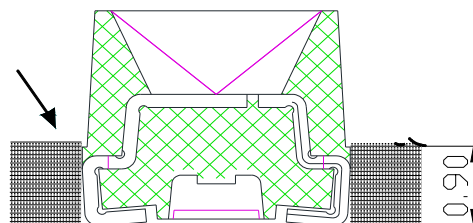
A A

A 9

manufacturer.

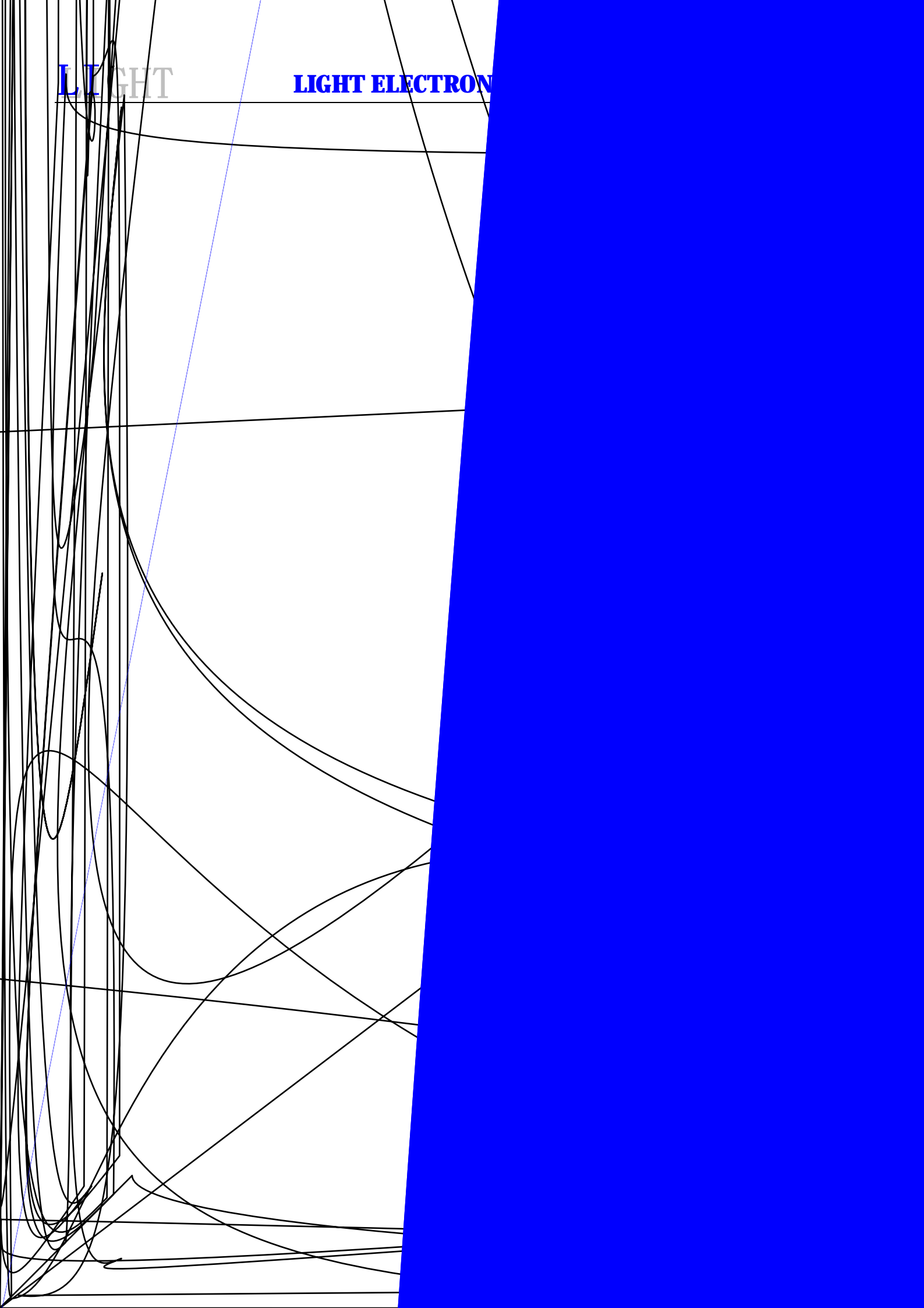
Typical Characteristics Curves





LIGHT

LIGHT ELECTRON

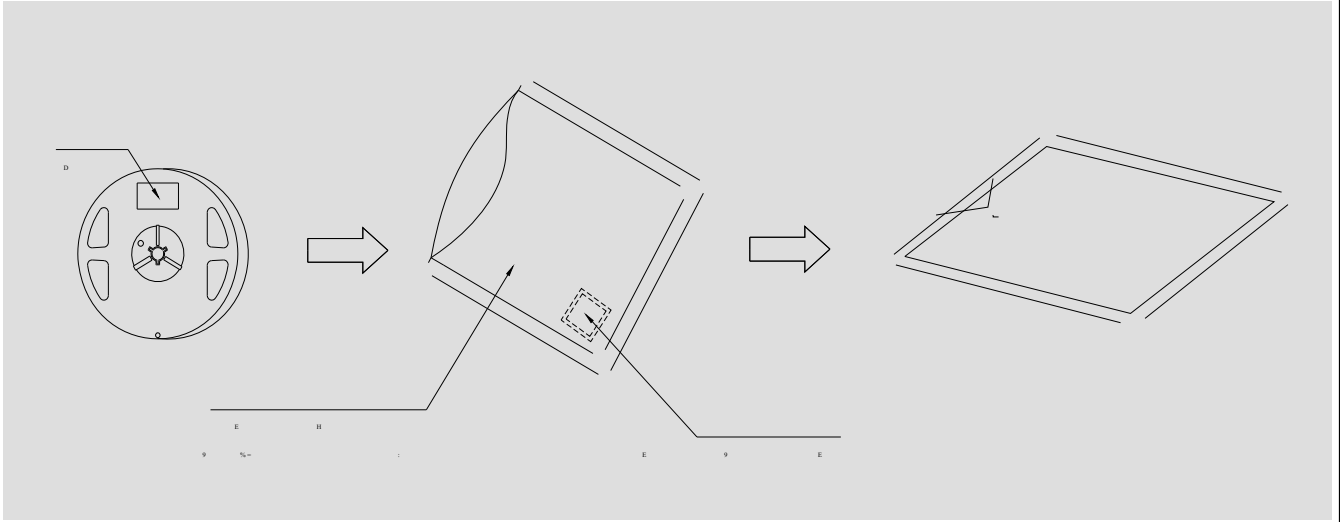


2

Packaging(2)



Moisture Proof and Anti-Electrostatic Foil Bag



Cardboard Box



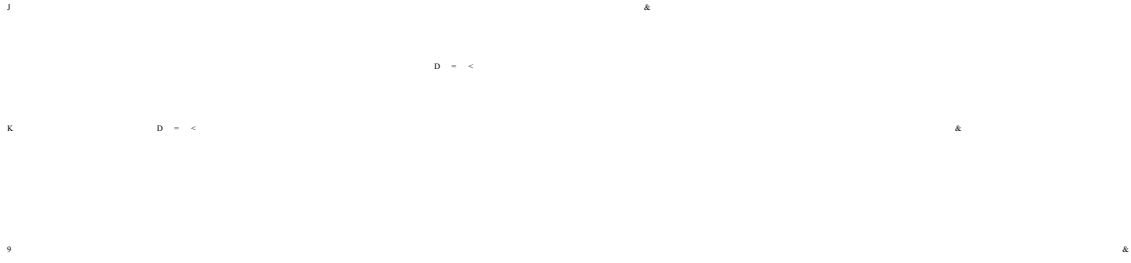
Label Explanation

L

LIGHT ELECTRONICS CO., LTD.

2

Guideline for Soldering (2)



3.

Cleaning



(1)

Precautions (1)

1.

Storage

- E % & 4 + (4 . (J
- K 2 9 4 + (K E L & 4 + (4 . (J
- A H
- 4 + (4 . (J) *
- 4 + (4 . (J & M) * &
- / (-) * / (-) * / (-) * , 0
- 0 * 2 / (-) * 9 * 2 / (-) * , < 2 / (-) * , 0

2.

Static Electricity

- K D - < & < D - < D - < & A
- % K E < D - < &
- 9 &
- A % D - < &

(2)

Precautions (2)

3.

Design Consideration

- D = <

A

D = < & A

&
- 9

D = <

N

D = <

A

D = <

D = <

N

D = < & A

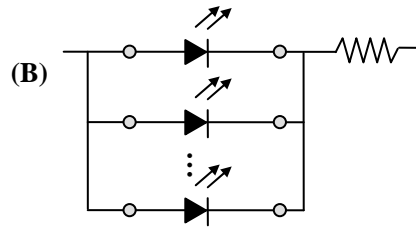
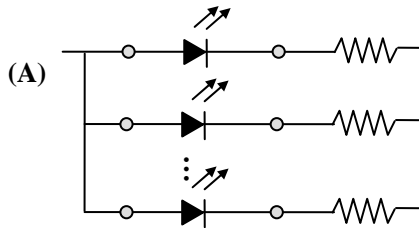
D = <

9

E

J

&



- D = <

D = <

L

<

& H

&

4.

Reverse voltage protection

- D = <

D = <

D = <

D = <

- N
- A

D = <

&

&

(3)

Precautions (3)

5.

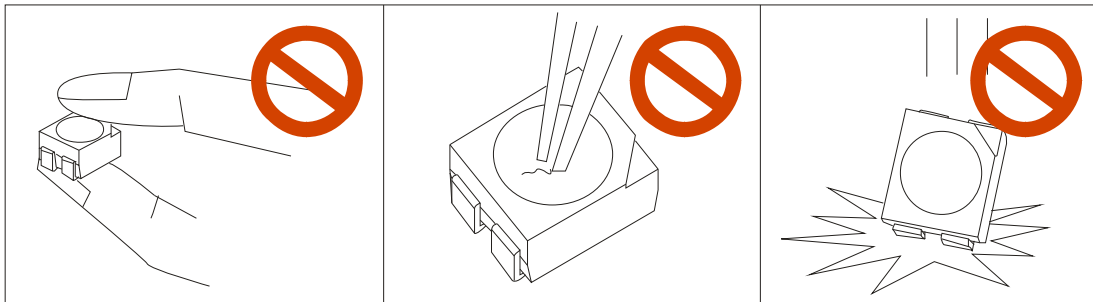
The safe temperature for LEDs working

-

6.

Others

-



-