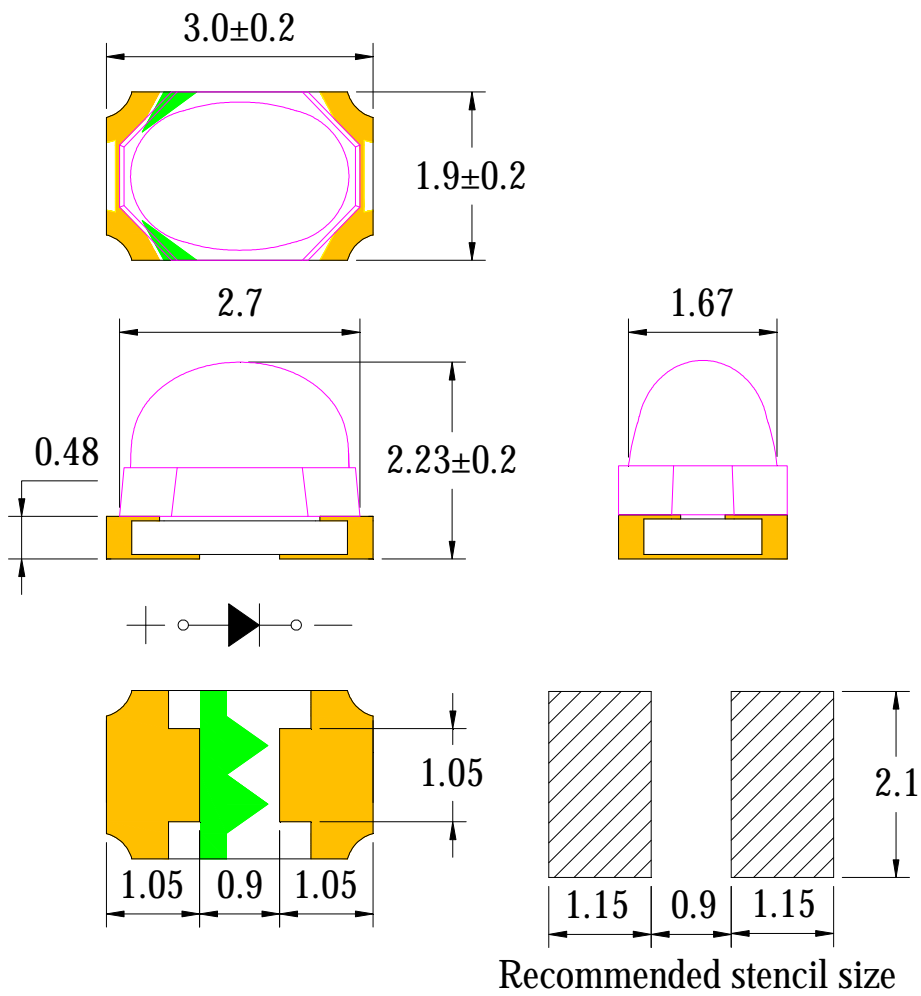


SL-T3020IRC050-L223-C-S

Features

Package Dimension



Notes:

Absolute Maximum Ratings at Ta=25

1. Storage and operating:

2. Peak Forward Current:

3. Caution in ESD:





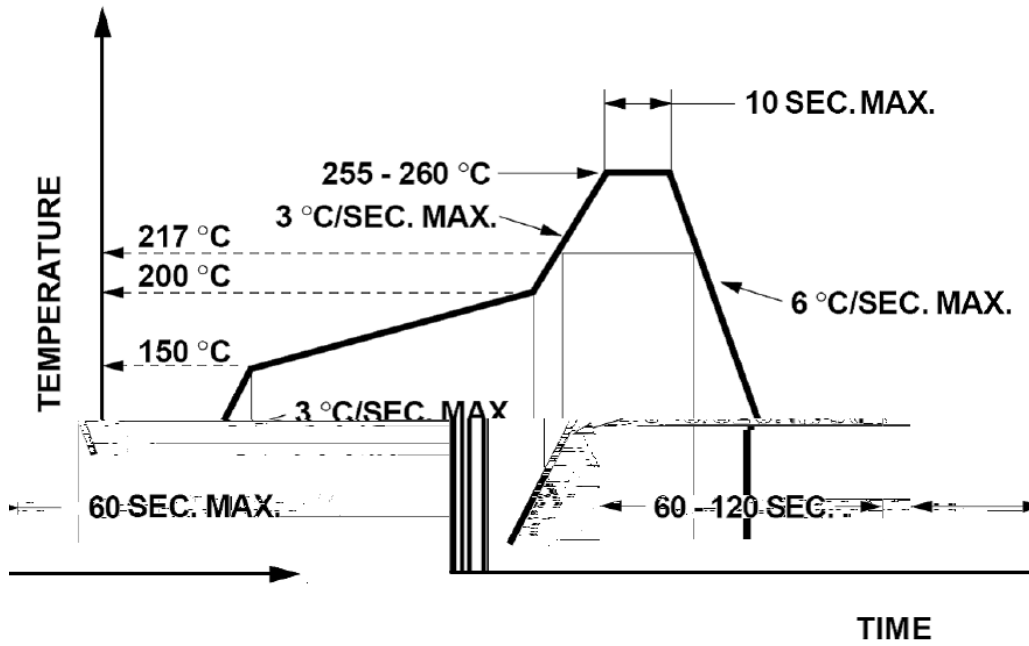
Carrier Tape Specifications (Loaded Quantity: 5000pcs/reel)

Note:

Moisture Resistant Packaging



Suggest IR Reflow Condition For Lead Free



Soldering iron

°C

Repairing

